

Supplier:
 ŽALUZIE NEVA s.r.o.
 Háj 370, 798 12 Kralice na Hané
 Česká republika
 tel.: +420 588 003 550
 email: info@neva.eu
 www.neva.eu

Customer:

Order No. _____

type of blinds		type of system			cover options
S-90 <input type="checkbox"/>	C-80 <input type="checkbox"/>	STF 1 <input type="checkbox"/>			with cover sheet <input type="checkbox"/>
Z-90 <input type="checkbox"/>	C-65 <input type="checkbox"/>	STF 2 <input type="checkbox"/>			with ISO-KASTL case <input type="checkbox"/>
Z-70 <input type="checkbox"/>	F-80 <input type="checkbox"/>	guiding rail	plastic <input type="checkbox"/>	aluminum <input type="checkbox"/>	without cover sheet <input type="checkbox"/>

colour		Befestigung in:	ISO-KASTL case	
slates		plastic <input type="checkbox"/>	profile	RAL colour
guiding rails		wood <input type="checkbox"/>	front	
bottom profile		steel <input type="checkbox"/>	back	
cover sheet		concrete <input type="checkbox"/>		

Blinds - dimension in mm (ALWAYS as seen from inside of building)

#	quantity	width	headroom	height of cover/case	total height (only for version without cover sheet)	4° guiding rail angle Y/N	distance of axis (68,88,108 mm)
1							
2							
3							
4							
5							
6							
7							
8							
9							
10							
11							
12							

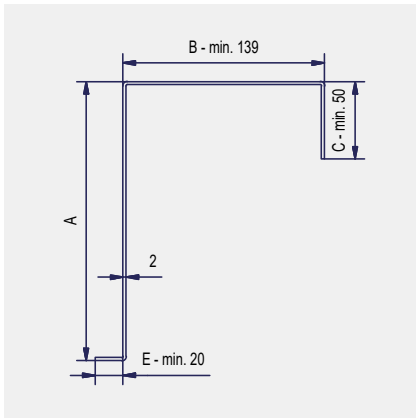
Cover sheets/ISO-KASTL case - dimension in mm

#	type	A	B	C	D	E	length in mm*	insulated cover sheets 6mm Y/N
1								
2								
3								
4								
5								
6								
7								
8								
9								
10								
11								
12								

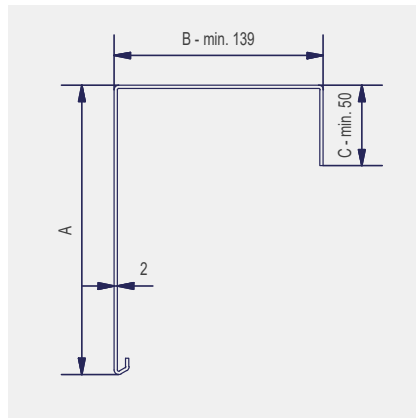
*length of cover sheet and/or ISO-KASTL case = width of blind

Types of cover sheets for STF system

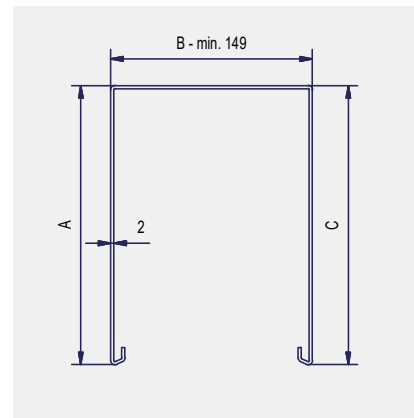
Cover sheet F11



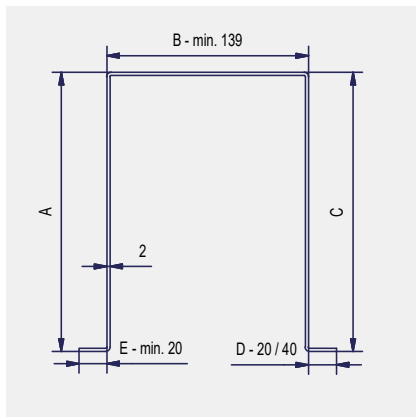
Cover sheet F21



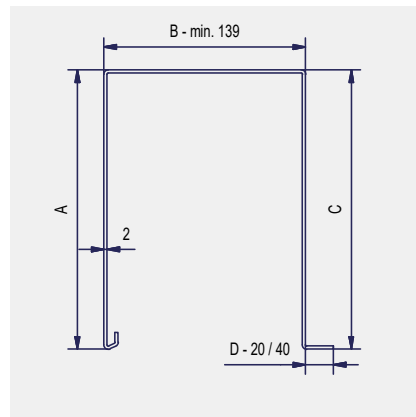
Cover sheet F30



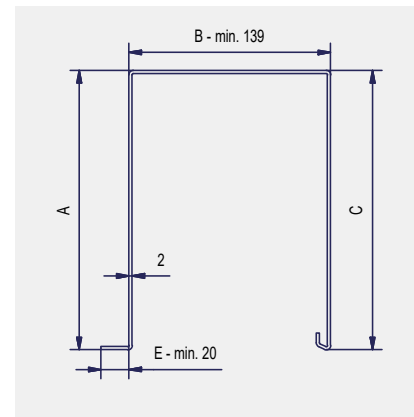
Cover sheet F31



Cover sheet F32



Cover sheet F33



Recommended dimensions:

- A = acc. to the packet height
- B = min. 139 mm (exception F30 = min. 149 mm)
- C = min. 50 mm
- D = 20/40 mm
- E = min. 20 mm
- Cover sheet thickness: 2 mm
- Cover sheets are supplied including sides.